

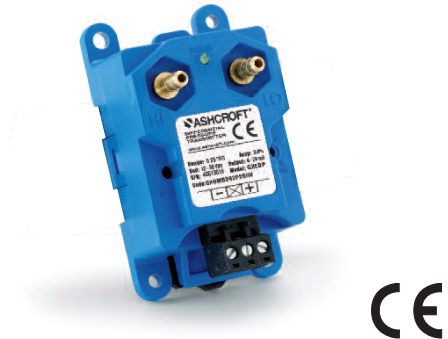


Product Data

SEN-DP-C-01-03-0 | Building Pressure Sensor

Technical Data

Accuracy	± 0.8%
Signal	0-10 VDC & 4-20mA output
Proof Pressure	15 psid
Burst Pressure	25 psid
Temp. Limits	0 to 160°F
Power Supply	14-36 VDC



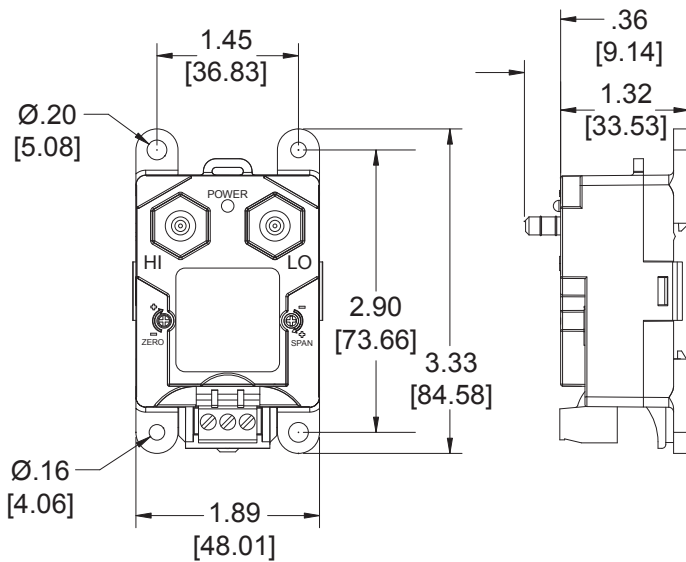
Part Number

SEN-DP-C-01-03-0

Product Application

The *iAIRE* building pressure sensor offers low-pressure measurement for building energy management and comfort control.

Product Dimensions (inches [mm])



Wiring Diagram

