



SEN-DP-C-01-03-0 INSTALL

READ THESE INSTRUCTIONS BEFORE YOU BEGIN INSTALLATION

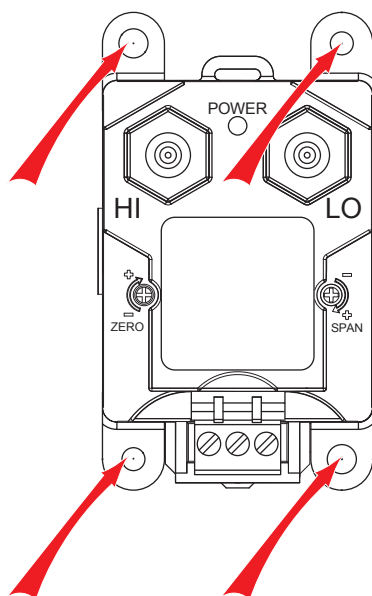
INSTALLATION

The **iAIRE** building pressure sensor is a versatile product and can be mounted quickly. It is designed for real-time building pressure detection.

MOUNTING

Find a suitable location to mount the sensor. Mount the sensor near the controller that will be using the signal. Then run the low pressure to the outside and the high pressure in the building somewhere in the ceiling.

Using screws, mount the sensor ensuring it is secure.

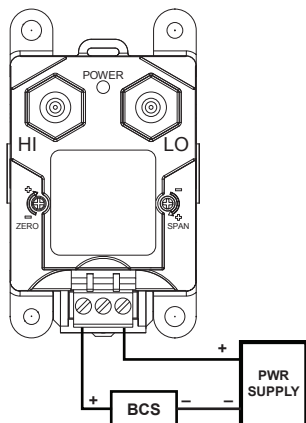


WIRING

⚠ (Be sure to follow all local and electrical codes. Turn off power to the unit before mounting or making any connections.)

4-20 mA output:

The left, negative (-), and the right, positive (+) terminals are used, ignore the center terminal which is not used. Connect the power supply positive lead to the CXLDp positive terminal and the negative power supply lead to the negative terminal of the BCS 4-20 mA input. Last, connect the negative terminal on the CXLDp to the positive BCS input



0-10Vdc output:

Follow label markings for terminal assignments; COM is for common (Supply and output negative), Vin is for supply positive and Vout is for output signal. The CXLDp voltage output unit is supplied as standard with 0-10 output.

