

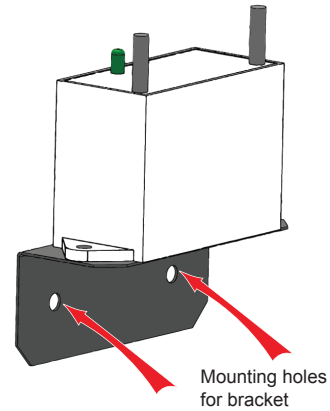


Product Data

UNV0016 | Mounting Bracket

Technical Data

Mounting	Self tapping metal screws
Dimensions	2.42" x 3.25"
Weight	0.05 lbs
Allows for one (1) generator per bracket	



Product Application

The **iAIRE** mounting bracket offers easy mounting when you have multiple ion generators for your system. They are located near the inlet to the HVAC supply blower so ion generators can mount easily and provide optimized ion coverage.

Product Dimensions (inches [mm])

