



UNV0016 INSTALL

READ THESE INSTRUCTIONS BEFORE YOU BEGIN INSTALLATION

INSTALLATION

The **iAIRE** mounting bracket allows for optimal installation of multiple ion air cleaners. They can be used for mounting any number of air cleaners.

MOUNTING

Ion air cleaners should be mounted to the bracket using self tapping metal screws on the small holes [figure 1.1].

The number of ion air cleaners that are mounted should be spaced evenly around the blower.

Wires for all ion air cleaners should be tied together before mounting the brackets inside the RTU for easier wiring. If using the optional 24V transformer, tie all ion air cleaner wiring to the transformer and run transformer wires to the power distribution block.

The brackets should then be mounted, using self tapping metal screws on the large holes, in a suitable location in the air stream [figure 1.2]. The optimal location is at the inlet to the supply fan.

fig. 1.1 (ion device mounting)

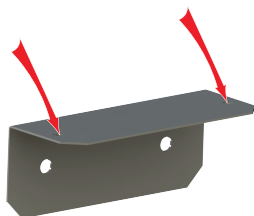
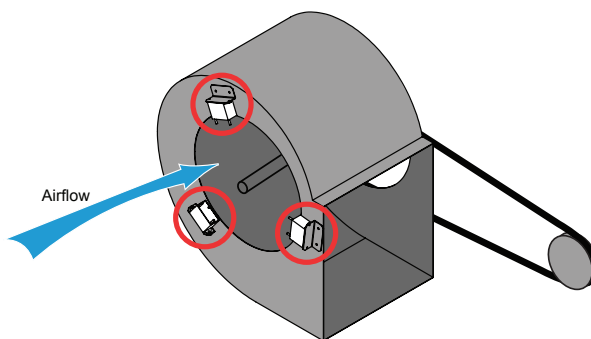


fig. 1.2 (plate mounting)



WIRING

⚠ (Be sure to follow all local and electrical codes. Turn off power to the unit before mounting or making any connections.)

ION - 0A * 00

VOLTAGE:

- A - 24VAC / VDC, 1 ϕ
- D - 115VAC, 1 ϕ

- Check the label on the product and wire it only to the voltage range shown. The 24V product accepts VAC/VDC power.
- Run black and red wires to 24V transformer in RTU to power ion air cleaners.
- Unit should be powered 24/7 or it may be interlocked to fan operation (or other similar controls).
- Green LED will illuminate when powered and operating.

35 inch black = Neutral or Ground (HVAC "C" Terminal) or chassis in case of furnace
35 inch red = Positive (HVAC "R" Terminal)

