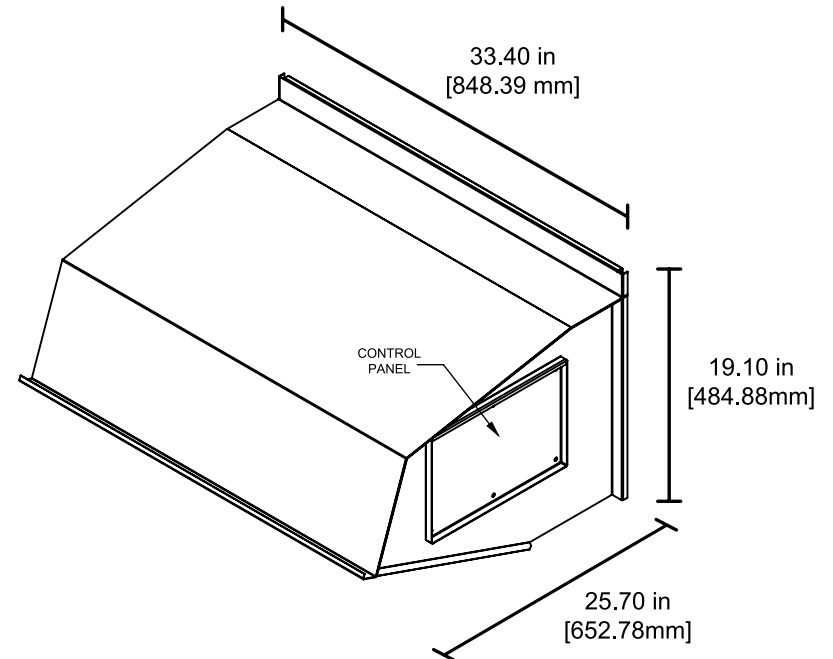
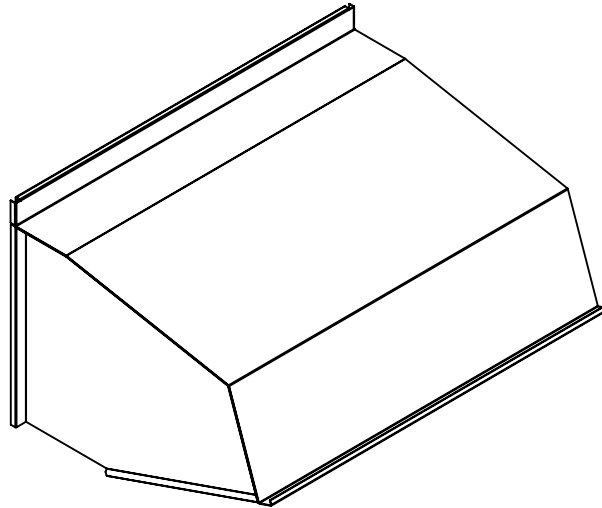




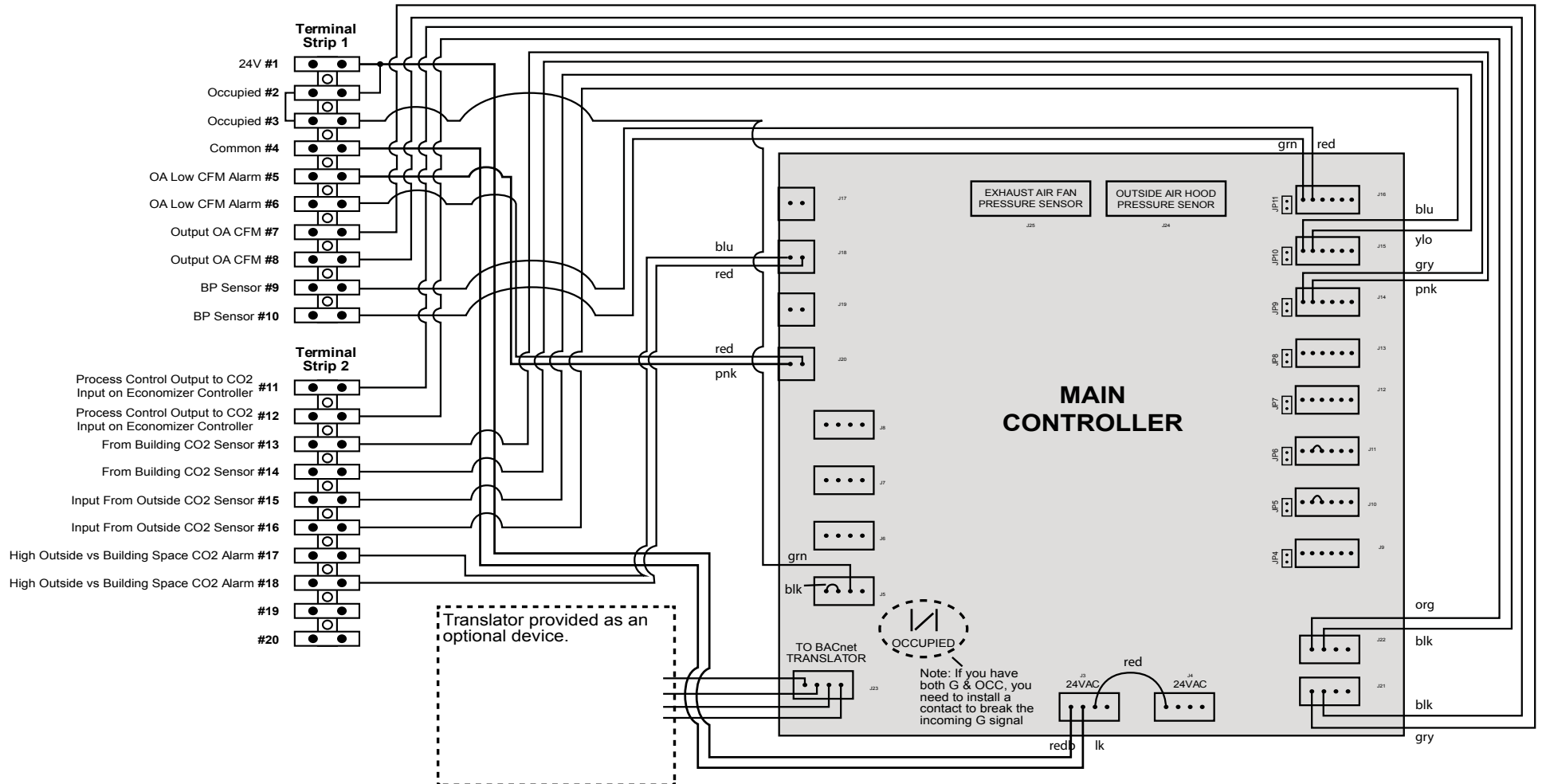
Part Numbers							
AMB - CHAS2 - *							
	<table border="1"> <thead> <tr> <th>options</th> </tr> </thead> <tbody> <tr> <td>0 - NO OPTIONS</td> </tr> <tr> <td>A - BACNET</td> </tr> <tr> <td>B - MIRROR</td> </tr> <tr> <td>C - OPTION A & B</td> </tr> <tr> <td>Z - SPECIAL</td> </tr> </tbody> </table>	options	0 - NO OPTIONS	A - BACNET	B - MIRROR	C - OPTION A & B	Z - SPECIAL
options							
0 - NO OPTIONS							
A - BACNET							
B - MIRROR							
C - OPTION A & B							
Z - SPECIAL							
Weight	44.5 lbs [20.2 kg]						
Airflow Hood for Carrier Units Listed Below							
Chassis 2 HC05-06; TC07; LC05-06							
Power Requirements							
Unit should have 24 VAC power brought in. Power consumption is 9 W.							
Ver. #	1.0.2						
Date:	04.11.19						

*NOTE: Powered exhaust can be used with this hood.



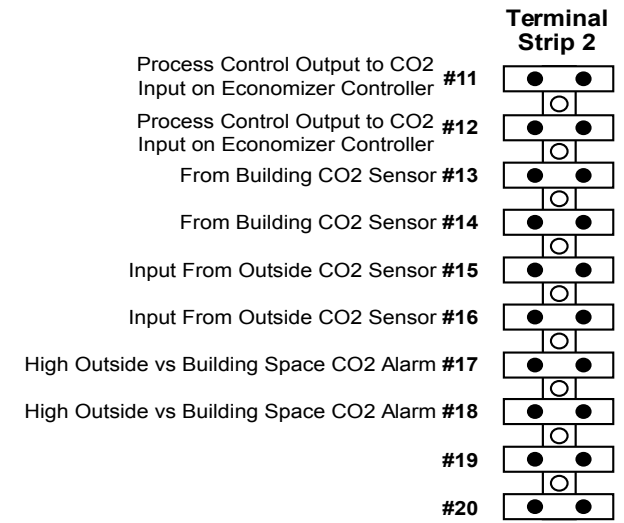
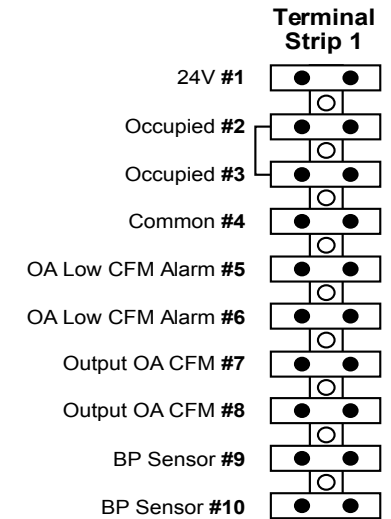
Wiring Diagram

Version 1.1 - 11/27/2013



Technical Detail - Terminal Strip & I/O

PIN	NAME	IN / OUT	TYPE
T1-1	24V	INPUT	LINE VOLTAGE
T1-2	OCCUPIED	INPUT	DIGITAL
T1-3	OCCUPIED	INPUT	DIGITAL
T1-4	COMMON	INPUT	LINE VOLTAGE
T1-5	OA LOW CFM ALARM	OUTPUT	DIGITAL
T1-6	OA LOW CFM ALARM	OUTPUT	DIGITAL
T1-7	OUTPUT OA CFM	OUTPUT	ANALOG 0-10V
T1-8	OUTPUT OA CFM	OUTPUT	ANALOG 0-10V
T1-9	BP SENSOR	INPUT	ANALOG 0-10V
T1-10	BP SENSOR	INPUT	ANALOG 0-10V
T2-11	PROCESS CONTROL OUTPUT TO CO2 INPUT ON ECONOMIZER CONTROLLER	OUTPUT	ANALOG 0-10V
T2-12	PROCESS CONTROL OUTPUT TO CO2 INPUT ON ECONOMIZER CONTROLLER	OUTPUT	ANALOG 0-10V
T2-13	FROM BUILDING CO2 SENSOR	INPUT	ANALOG 0-10V
T2-14	FROM BUILDING CO2 SENSOR	INPUT	ANALOG 0-10V
T2-15	INPUT FROM OUTSIDE CO2 SENSOR	INPUT	ANALOG 0-10V
T2-16	INPUT FROM OUTSIDE CO2 SENSOR	INPUT	ANALOG 0-10V
T2-17	HIGH OUTSIDE VS BUILDING SPACE CO2 ALARM	OUTPUT	DRY CONTACT
T2-18	HIGH OUTSIDE VS BUILDING SPACE CO2 ALARM	OUTPUT	DRY CONTACT
T2-19	NOT USED	N/A	N/A
T2-20	NOT USED	N/A	N/A



* Any 0-10V signal can be modified to be a 4-20 mA signal. See instructions for how to make this modification.