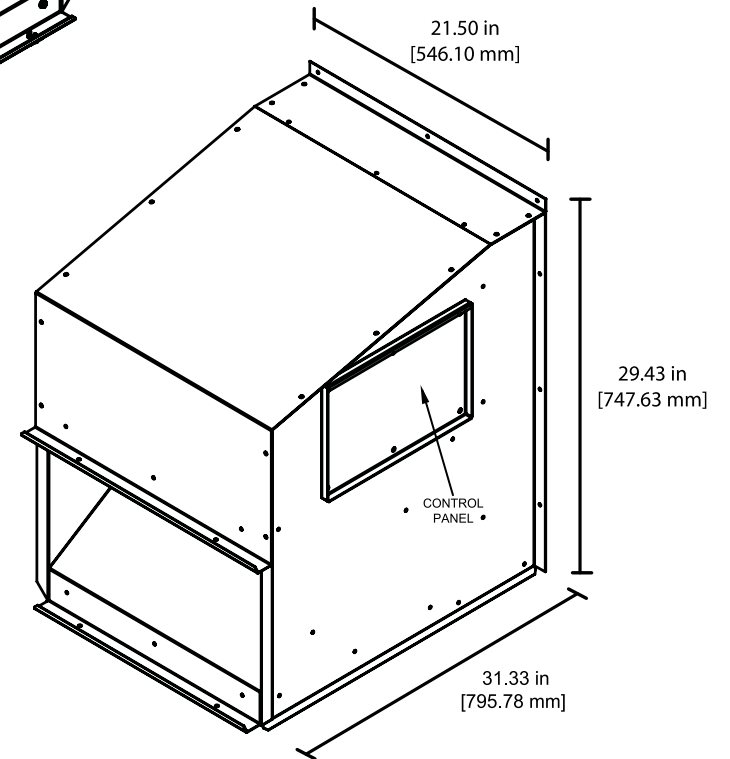
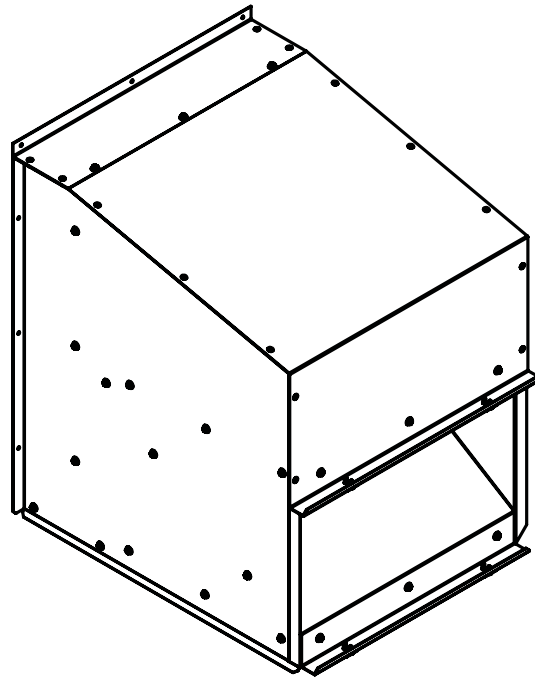




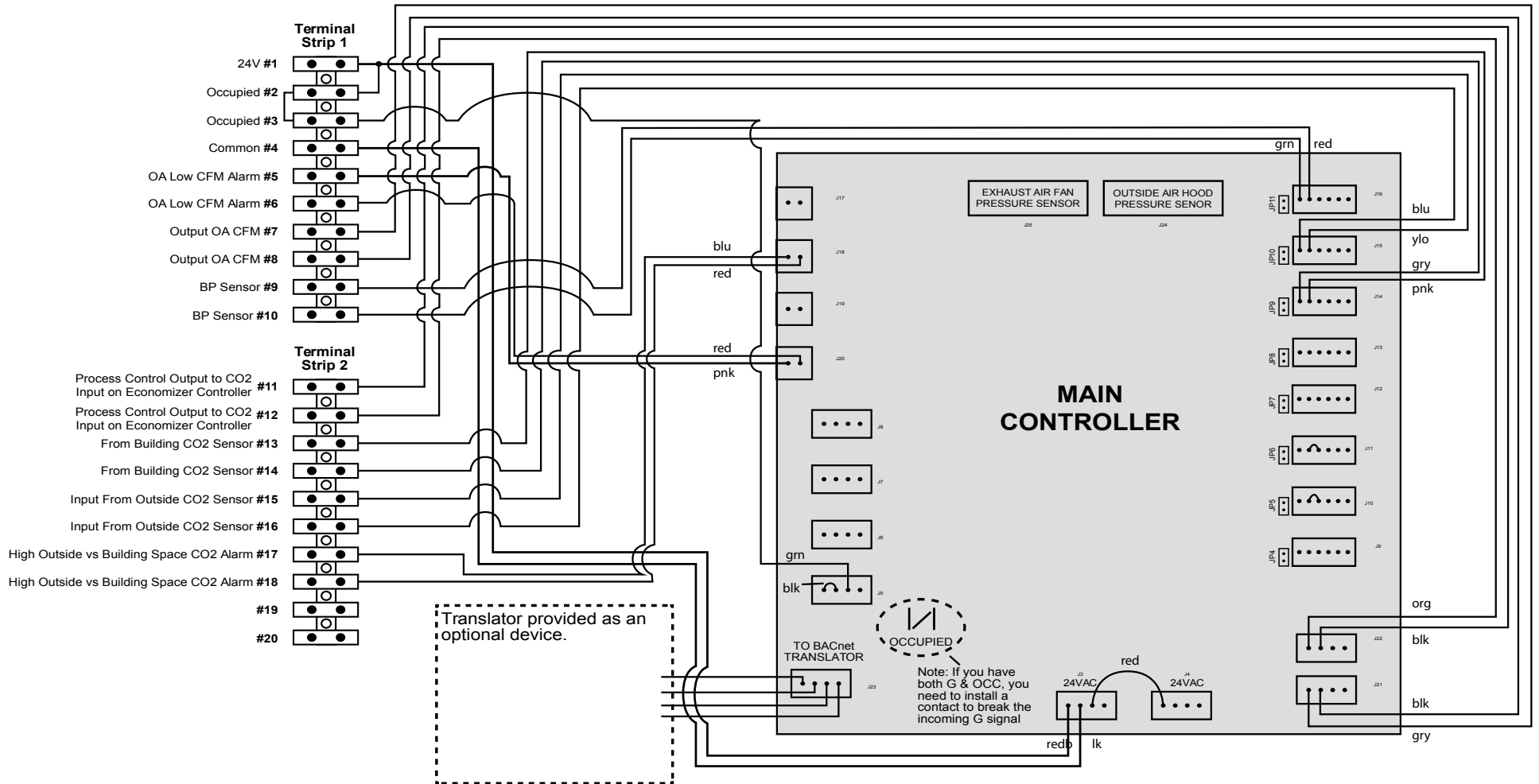
Part Numbers	
AMA * - PRED36 - * *	
<p>accessory</p> <ul style="list-style-type: none"> 0 - NO OPTIONS C - MOD DAMPER Z - SPECIAL 	<p>options</p> <ul style="list-style-type: none"> 0 - NO OPTIONS A - BAGNET B - MIRROR C - OPTION A & B Z - SPECIAL
<p>package</p> <ul style="list-style-type: none"> 0 - NO OPTIONS A - IAQ B - DCV C - ECON D - CO2 DIRCT CTRL 	
Weight	66.5 lbs [30.2 kg]
Airflow Hood for York Units Listed Below	
PRED 36 ZH,ZJ,ZR 037,049,061	
Power Requirements	
Unit should have 24 VAC power brought in. Power consumption is 9 W.	
Ver. #	1.0.1
Date:	12.03.13

*NOTE: Powered exhaust can be used with this hood.



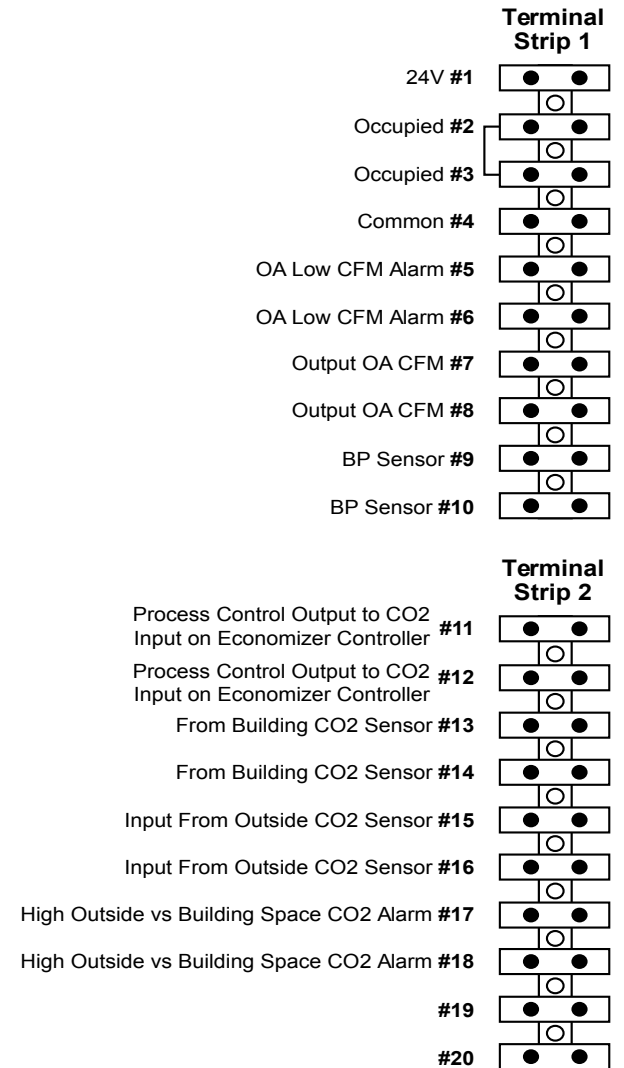
Wiring Diagram

Version 1.1 - 11/27/2013



Technical Detail - Terminal Strip & I/O

PIN	NAME	IN / OUT	TYPE
T1-1	24V	INPUT	LINE VOLTAGE
T1-2	OCCUPIED	INPUT	DIGITAL
T1-3	OCCUPIED	INPUT	DIGITAL
T1-4	COMMON	INPUT	LINE VOLTAGE
T1-5	OA LOW CFM ALARM	OUTPUT	DIGITAL
T1-6	OA LOW CFM ALARM	OUTPUT	DIGITAL
T1-7	OUTPUT OA CFM	OUTPUT	ANALOG 0-10V
T1-8	OUTPUT OA CFM	OUTPUT	ANALOG 0-10V
T1-9	BP SENSOR	INPUT	ANALOG 0-10V
T1-10	BP SENSOR	INPUT	ANALOG 0-10V
T2-11	PROCESS CONTROL OUTPUT TO CO2 INPUT ON ECONOMIZER CONTROLLER	OUTPUT	ANALOG 0-10V
T2-12	PROCESS CONTROL OUTPUT TO CO2 INPUT ON ECONOMIZER CONTROLLER	OUTPUT	ANALOG 0-10V
T2-13	FROM BUILDING CO2 SENSOR	INPUT	ANALOG 0-10V
T2-14	FROM BUILDING CO2 SENSOR	INPUT	ANALOG 0-10V
T2-15	INPUT FROM OUTSIDE CO2 SENSOR	INPUT	ANALOG 0-10V
T2-16	INPUT FROM OUTSIDE CO2 SENSOR	INPUT	ANALOG 0-10V
T2-17	HIGH OUTSIDE VS BUILDING SPACE CO2 ALARM	OUTPUT	DRY CONTACT
T2-18	HIGH OUTSIDE VS BUILDING SPACE CO2 ALARM	OUTPUT	DRY CONTACT
T2-19	NOT USED	N/A	N/A
T2-20	NOT USED	N/A	N/A



* Any 0-10V signal can be modified to be a 4-20 mA signal. See instructions for how to make this modification.