

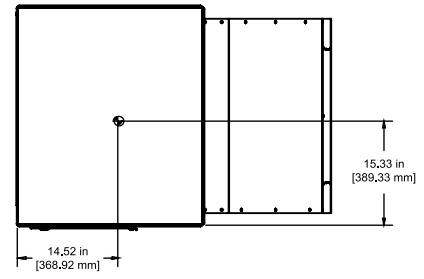
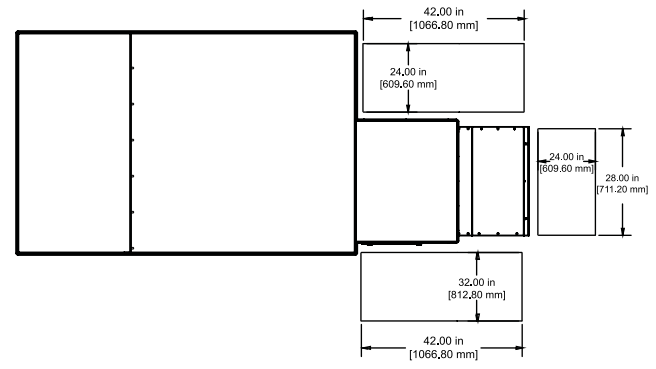
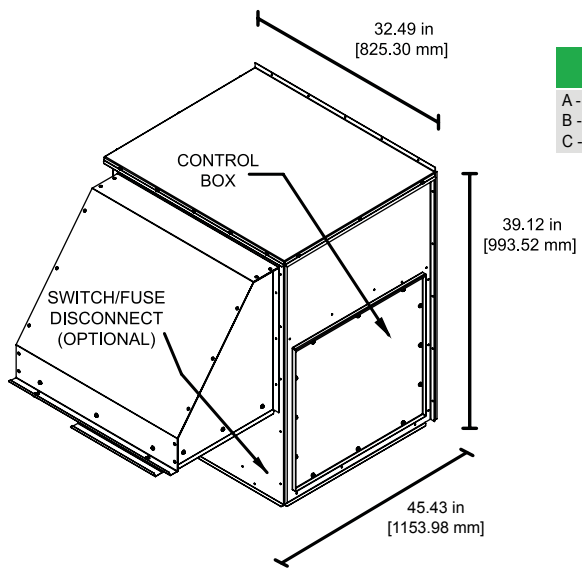


Weight	308 lbs [140 kg]		
ERV for York Units Listed Below			
PRED 36 ZH,ZJ,ZR 037,049,061			
Power Requirements			
UNIT	FLA	MCA	MOP
PRED36 MIN OA 208 V, 1ph	4.25	5.31	8.72
PRED36 MIN OA 208 V, 3ph	4.25	5.31	8.72
PRED36 MIN OA 230 V, 1ph	3.84	4.80	7.89
PRED36 MIN OA 230 V, 3ph	3.84	4.80	7.89
PRED36 MIN OA 460 V, 3 ph	1.92	2.40	3.94
Ver. #	1.0.0	Date:	8.23.13

EM * - * - * * * * * - *

size	unit/ton	voltage	control
D - MIN OA LOW E - MIN OA STD F - MIN OA HIGH	PRED 36	E - 208 VAC, 1 Φ F - 208 VAC, 3 Φ G - 230 VAC, 1 Φ H - 230 VAC, 3 Φ K - 460 VAC, 3 Φ	0 - ELECTRO MECH A - IAQ

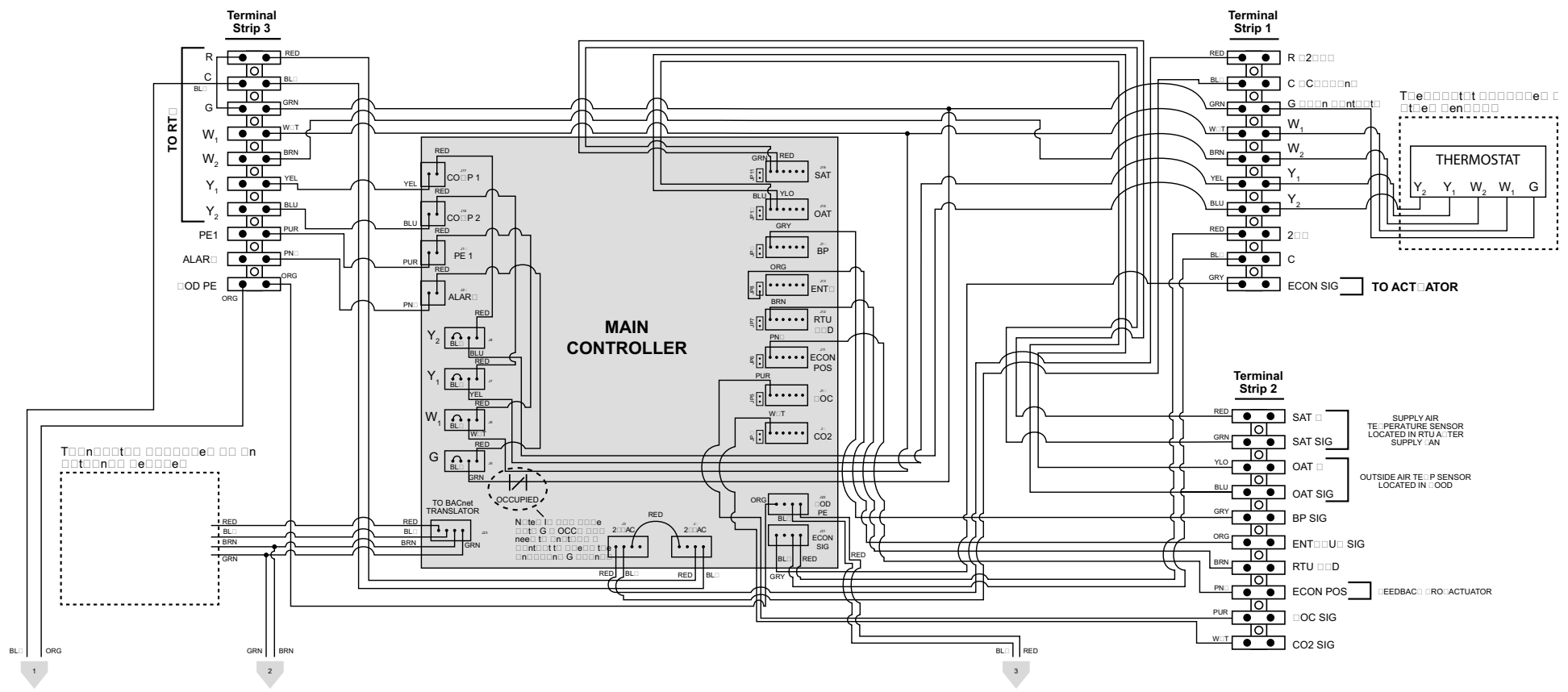
wheel	disconnect	maintenance indicator	options
A - TOTL ENTHLPY B - SENSIBLE ONLY C - PURGE	0 - NO DISCONNECT A - 240 V NON FUSED B - 240 V FUSED C - 600 V NON FUSED D - 600 V FUSED	0 - NO INDICATORS A - DIRT FILT INDIC	0 - NO OPTIONS C - BUILDING PRESS D - FROST PROTECT E - HUMIDITY SENS F - BACNET



*Units designed for vertical return

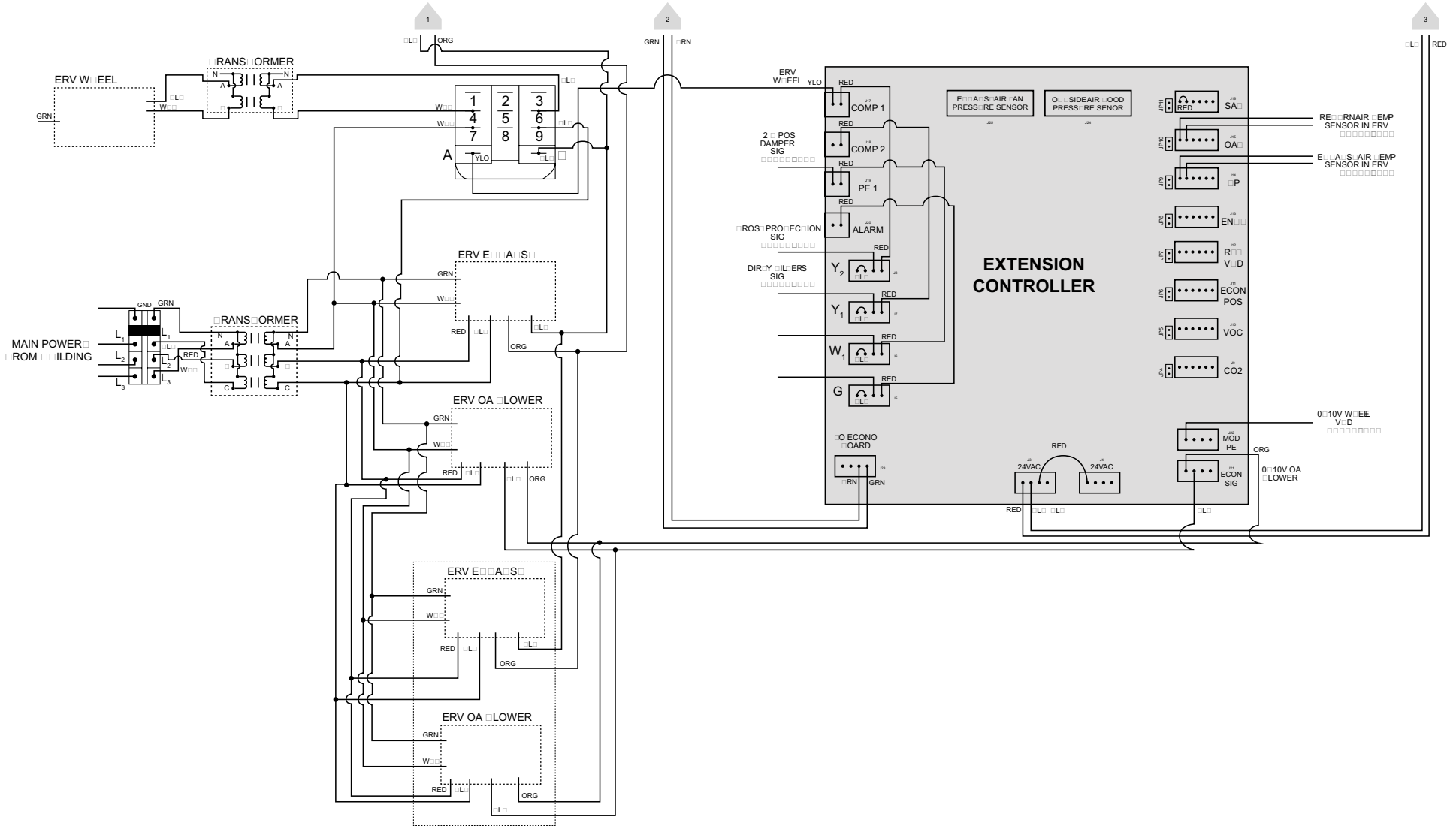
Wiring Diagram - Variable Speed (pg 1 of 2)

Version 1.2 - 1/08/2014



Wiring Diagram - Variable Speed (pg 2 of 2)

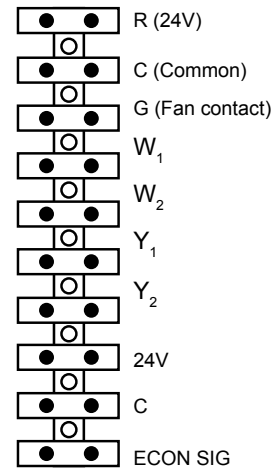
Version 1.2 - 1/08/2014



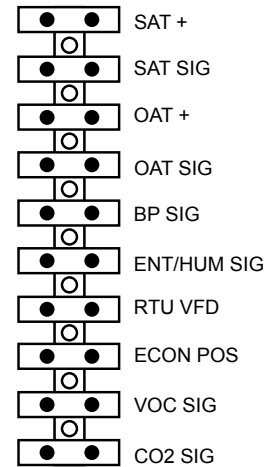
Technical Detail - Terminal Strip & I/O (page 1 of 2)

PIN	NAME	IN / OUT	TYPE
T1-1	R 24V	INPUT	LINE VOLTAGE
T1-2	C (COMMON)	INPUT	LINE VOLTAGE
T1-3	G (FAN CONTACT)	INPUT	DIGITAL
T1-4	W1	INPUT	DIGITAL
T1-5	W2	INPUT	JUMPER
T1-6	Y1	INPUT	DIGITAL
T1-7	Y2	INPUT	DIGITAL
T1-8	24V	INPUT	LINE VOLTAGE
T1-9	C	INPUT	LINE VOLTAGE
T1-10	ECON SIG	INPUT	ANALOG 0-10V
T2-1	SAT +	INPUT	ANALOG 0-10V
T2-2	SAT SIG	INPUT	ANALOG 0-10V
T2-3	OAT +	INPUT	ANALOG 0-10V
T2-4	OAT SIG	INPUT	ANALOG 0-10V
T2-5	BP SIG	INPUT	ANALOG 0-10V
T2-6	ENT/HUM SIG	INPUT	ANALOG 0-10V
T2-7	RTU VFD	INPUT	ANALOG 0-10V
T2-8	ECON POS	INPUT	ANALOG 0-10V
T2-9	VOC SIG	INPUT	ANALOG 0-10V
T2-10	CO2 SIG	INPUT	ANALOG 0-10V

Terminal Strip 1



Terminal Strip 2



* Any 0-10V signal can be modified to be a 4-20 mA signal. See instructions for how to make this modification.

Technical Detail - Terminal Strip & I/O (page 2 of 2)

PIN	NAME	IN / OUT	TYPE
T3-1	R	OUTPUT	LINE VOLTAGE
T3-2	C	OUTPUT	LINE VOLTAGE
T3-3	G	OUTPUT	DIGITAL
T3-4	W1	OUTPUT	DIGITAL
T3-5	W2	OUTPUT	JUMPER
T3-6	Y1	OUTPUT	DRY CONTACT
T3-7	Y2	OUTPUT	DRY CONTACT
T3-8	PE1	OUTPUT	DRY CONTACT
T3-9	ALARM	OUTPUT	DRY CONTACT
T3-10	MOD PE	OUTPUT	ANALOG 0-10V

* Any 0-10V signal can be modified to be a 4-20 mA signal. See instructions for how to make this modification.

